

# Hand Pallet Truck (2 Tonne Stainless Steel)

## **GPT 2000 SS/W SS**

- **2000 kg Lifting Capacity**

Now your pallet trucks can easily handle heavier pallets, reducing the number of trips for material movement. With a high lift height of 200 mm, a wide range of pallets can be handled.

- **Construction**

All parts are made of SS 304 grade stainless steel including hydraulic pump, fork frame, standard handle, push rod, bearings, fasteners etc. This pallet truck confirms to EN 1757-2.

- **High Tensile Steel Forks**

The bend profile of the forks provides extra strength at key stress areas. It also ensures lower wear of forks while handling pallets.

- **Three Position Control Lever For Easy Operation**

An easy to operate 3 position lever, with lower, lift and neutral positions increases productivity. In the neutral position the handle is disconnected from the pump unit, reducing the effort required to travel with load thereby reducing operator fatigue. Spring loaded handle ensures that it returns back to vertical position when released.

- **Tandem Load Rollers And Steering For Easy Movement**

Tandem load rollers are provide to ensure that the pallet truck has a constant contact with the ground, even on uneven surfaces. Distribution of load over more rollers increases their useful life. Tandem nylon wheels ensures easy maneuverability in narrow aisles. These wheels are specially suited for movement over wet surfaces.

- **Application**

This pallet truck is suitable for application in meat, fish and other food industries, dairy canning and all area where corrosive fluids and saline solutions are used, besides many application in pharma.



Corrosion resistant



Low maintenance



Rugged and reliable

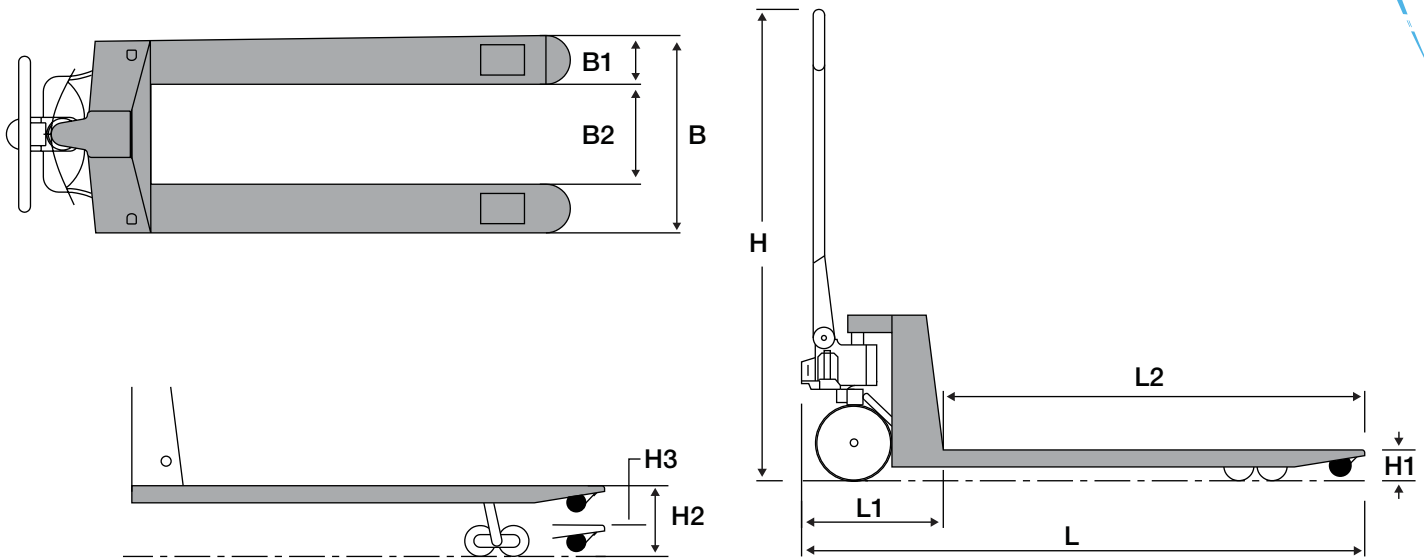


# GODREJ 2 TONNE STAINLESS STEEL HYDRAULIC PALLET TRUCK

## Technical Specifications

MODEL			GPT 2000 SS	GPT 2000 W SS
Load Capacity	-	kg	2000	2000
Fork length	(L2)	mm	1230	1230
Fork Width	(B1)	mm	165	165
Outside Fork Spread	(B)	mm	530	680
Inside Fork Spread	(B2)	mm	200	350
Maximum Fork Height	(H2)	mm	200	200
Lift	(H3)	mm	110	110
Lowered Fork Height	(H1)	mm	90	90
Head Length	(L1)	mm	390	390
Overall Length	(L)	mm	1635	1635
Overall Height	(H)	mm	1220	1220
Truck Weight	-	kg	75	75
Steering Wheels (Diameter X Width)	-	mm	Ø190 X 50	Ø190 X 50
Load Wheel (Diameter X Width)	-	mm	Ø80 X 70	Ø80 X 70
Load Wheel Type	-	-	Tandem, Nylon	Tandem, Nylon
Drive Wheel Type	-	-	Twin/Nylon	Twin/Nylon

Note: All dimensions and specification indicated above are subject to a variation of  $\pm 15\%$  without notice.



**Head Office Address**  
**GODREJ & BOYCE MFG. CO. LTD.**  
 Plant 16, Pirojshanagar,  
 Vikhroli, Mumbai - 400 079. INDIA  
 Tel: +91 22 6796 4660 / 73  
 Fax: +91 22 6796 1519  
 Email: mhemktg@godrej.com  
 Toll Free Helpline: 1 - 800-22-5454

## Branches & Service Centres

- Mumbai : 022 67961725
- Indore : 0731 4069335
- Kochi : 0484 6612777
- Delhi : 011 66507340
- Lucknow : 0522 6754961
- Pune : 020 66255121
- Chennai : 044 66544431
- Kolkata : 033 66013771
- Guwahati : 03612 468242
- Raipur : 0771 6606606
- Hyderabad : 040 66431203
- Chandigarh : 0172 5012525
- Bangalore : 080 66472251
- Ahmedabad : 079 66060646
- Jaipur : 0141 6701441
- Vizag : 0891 2517930
- Bhubaneswar : 0674 2583810 / 0674 2580609
- Coimbatore : 0422 2545799 / 599
- UAE : 0097155 899 2305 / 2316